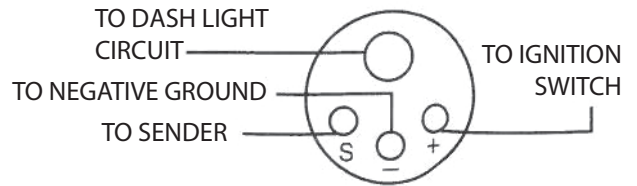
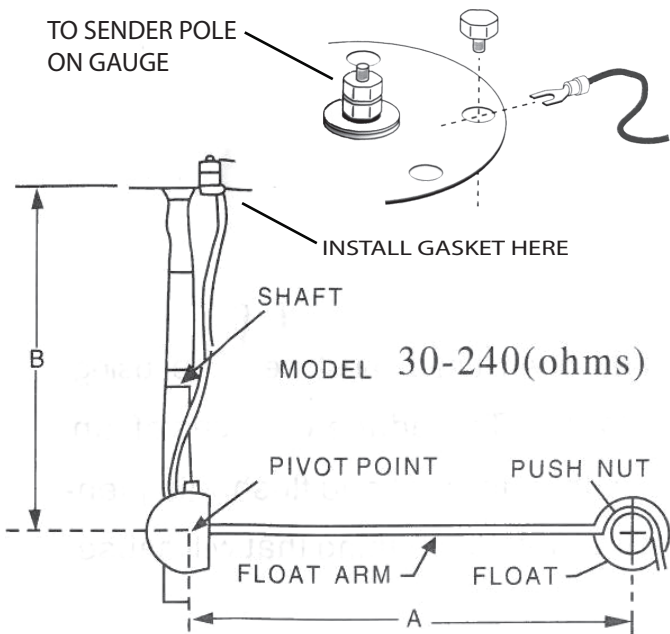


# INSTALLATION INSTRUCTIONS

ART. L3280040- L3252660



**CAUTION-HANDLE FUEL TANK CAREFULLY WHEN DRAINING TO REPLACE FUEL TRANSMITTER. DANGEROUS GASOLINE FUMES ARE PRESENT. WORK IN WELL VENTILATED AREA AVOID SLIDING OR DRAGGING TANK, AND KEEP CIGARETTES AND OTHER HOT MATERIALS AWAY.**

COMPLETE INSTALLATION OF THE FUEL LEVEL GAUGE REQUIRES THE USE OF ENCLOSED FUEL TRANSMITTER FIND CORRECT FUEL TANK DEPTH IN THE FOLLOWING TABLES, AND INSTALL FUEL TRANSMITTER BY USING THE DETAILED ASSEMBLY PROCEDURE BELOW

FUEL TRANSMITTER	TANK DEPTH"	LENGTH"		TANK DEPTH"	LENGTH"		TANK DEPTH"	LENGTH"		TANK DEPTH"	LENGTH"	
		A	B		A	B		A	B		A	B
MODEL	5	2 <sup>11</sup> / <sub>16</sub>	2 <sup>5</sup> / <sub>8</sub>	11	6 <sup>7</sup> / <sub>8</sub>	5 <sup>6</sup> / <sub>8</sub>	17	11	8 <sup>5</sup> / <sub>8</sub>	23	15 <sup>1</sup> / <sub>8</sub>	11 <sup>5</sup> / <sub>8</sub>
	5 <sup>1</sup> / <sub>2</sub>	3	2 <sup>7</sup> / <sub>8</sub>	11 <sup>1</sup> / <sub>2</sub>	7 <sup>3</sup> / <sub>16</sub>	5 <sup>7</sup> / <sub>8</sub>	17 <sup>1</sup> / <sub>2</sub>	11 <sup>5</sup> / <sub>16</sub>	8 <sup>7</sup> / <sub>8</sub>	23 <sup>1</sup> / <sub>2</sub>	15 <sup>7</sup> / <sub>16</sub>	11 <sup>7</sup> / <sub>8</sub>
	6	3 <sup>3</sup> / <sub>8</sub>	3 <sup>1</sup> / <sub>8</sub>	12	7 <sup>5</sup> / <sub>16</sub>	6 <sup>1</sup> / <sub>8</sub>	18	11 <sup>11</sup> / <sub>16</sub>	9 <sup>1</sup> / <sub>8</sub>	24	16 <sup>13</sup> / <sub>16</sub>	12 <sup>1</sup> / <sub>8</sub>
	6 <sup>1</sup> / <sub>2</sub>	3 <sup>11</sup> / <sub>16</sub>	3 <sup>3</sup> / <sub>8</sub>	12 <sup>1</sup> / <sub>2</sub>	7 <sup>7</sup> / <sub>8</sub>	6 <sup>3</sup> / <sub>8</sub>	18 <sup>1</sup> / <sub>2</sub>	12	9 <sup>3</sup> / <sub>8</sub>	24 <sup>1</sup> / <sub>2</sub>	16 <sup>3</sup> / <sub>16</sub>	12 <sup>3</sup> / <sub>8</sub>
	7	4 <sup>1</sup> / <sub>16</sub>	3 <sup>5</sup> / <sub>8</sub>	13	8 <sup>1</sup> / <sub>4</sub>	6 <sup>5</sup> / <sub>8</sub>	19	12 <sup>3</sup> / <sub>8</sub>	9 <sup>5</sup> / <sub>8</sub>	25	16 <sup>1</sup> / <sub>2</sub>	12 <sup>5</sup> / <sub>8</sub>
	7 <sup>1</sup> / <sub>2</sub>	4 <sup>3</sup> / <sub>8</sub>	3 <sup>7</sup> / <sub>8</sub>	13 <sup>1</sup> / <sub>2</sub>	8 <sup>9</sup> / <sub>16</sub>	6 <sup>7</sup> / <sub>8</sub>	19 <sup>1</sup> / <sub>2</sub>	12 <sup>11</sup> / <sub>16</sub>	9 <sup>7</sup> / <sub>8</sub>	25 <sup>1</sup> / <sub>2</sub>	16 <sup>13</sup> / <sub>16</sub>	12 <sup>7</sup> / <sub>8</sub>
	8	4 <sup>3</sup> / <sub>4</sub>	4 <sup>1</sup> / <sub>8</sub>	14	8 <sup>15</sup> / <sub>16</sub>	7 <sup>1</sup> / <sub>8</sub>	20	13 <sup>1</sup> / <sub>16</sub>	10 <sup>1</sup> / <sub>8</sub>	26	17 <sup>3</sup> / <sub>16</sub>	13 <sup>1</sup> / <sub>8</sub>
	8 <sup>1</sup> / <sub>2</sub>	5 <sup>1</sup> / <sub>8</sub>	4 <sup>3</sup> / <sub>8</sub>	14 <sup>1</sup> / <sub>2</sub>	9 <sup>1</sup> / <sub>4</sub>	7 <sup>3</sup> / <sub>8</sub>	20 <sup>1</sup> / <sub>2</sub>	13 <sup>3</sup> / <sub>8</sub>	10 <sup>3</sup> / <sub>8</sub>	26 <sup>1</sup> / <sub>2</sub>	17 <sup>1</sup> / <sub>2</sub>	13 <sup>3</sup> / <sub>8</sub>
	9	5 <sup>1</sup> / <sub>2</sub>	4 <sup>5</sup> / <sub>8</sub>	15	9 <sup>5</sup> / <sub>8</sub>	7 <sup>5</sup> / <sub>8</sub>	21	13 <sup>3</sup> / <sub>4</sub>	10 <sup>5</sup> / <sub>8</sub>	27	17 <sup>13</sup> / <sub>16</sub>	13 <sup>5</sup> / <sub>8</sub>
	9 <sup>1</sup> / <sub>2</sub>	5 <sup>13</sup> / <sub>16</sub>	4 <sup>7</sup> / <sub>8</sub>	15 <sup>1</sup> / <sub>2</sub>	9 <sup>15</sup> / <sub>16</sub>	7 <sup>7</sup> / <sub>8</sub>	21 <sup>1</sup> / <sub>2</sub>	14 <sup>1</sup> / <sub>16</sub>	10 <sup>7</sup> / <sub>8</sub>			
	10	6 <sup>3</sup> / <sub>16</sub>	5 <sup>1</sup> / <sub>8</sub>	16	10 <sup>5</sup> / <sub>16</sub>	8 <sup>1</sup> / <sub>8</sub>	22	14 <sup>7</sup> / <sub>16</sub>	11 <sup>1</sup> / <sub>8</sub>			
	10 <sup>1</sup> / <sub>2</sub>	6 <sup>1</sup> / <sub>2</sub>	5 <sup>3</sup> / <sub>8</sub>	16 <sup>1</sup> / <sub>2</sub>	10 <sup>5</sup> / <sub>8</sub>	8 <sup>3</sup> / <sub>8</sub>	23 <sup>1</sup> / <sub>2</sub>	14 <sup>3</sup> / <sub>4</sub>	11 <sup>3</sup> / <sub>8</sub>			

## ASSEMBLY PROCEDURE:

TO INSTALL FUEL TRANSMITTER FOR FUEL LEVEL GAUGE PROCEED AS FOLLOWS:

- 1.0 DRAIN FUEL TANK AND REMOVE FROM VEHICLE.
- 2.0 IF REQUIRED, DISASSEMBLE AND REMOVE OLD FUEL LEVEL GAUGE AND TRANSMITTER ASSEMBLY.
- 3.0 NEW TRANSMITTER MUST BE ADJUSTED TO FIT FUEL TANK. ADJUST LENGTHS "A" AND "B" FOR TRANSMITTER BY USING TABLE ABOVE
- 3.1 ADJUSTMENT OF LENGTH "A" IS ACCOMPLISHED BY CUTTING FLOAT ARM AND ATTACHING TO SHAFT ROTATING ARM. FLOAT ARM AND ROTATING ARM EQUAL LENGTH "A".

- 3.2 ADJUSTMENT OF LENGTH "B". LOOSEN SHAFT SET SCREWS AND ADJUST SHAFTS SPECIFIED LENGTH BEFORE TIGHTENING. ROTATE PIVOT ASSEMBLY TO ALLOW FOR FREE MOVEMENT OF FLOAT ARM WHEN PLACED IN TANK. IF TANK FLANGE IS USED BETWEEN TANK AND UNIT, ADD THAT THICKNESS TO MEASUREMENT "B" -SEE TABLES.

- 4.0 AFTER ADJUSTING, INSTALL NEW TRANSMITTER IN FUEL TANK. ALSO INSTALL GASKET AT MOUNTING HOLE IN FUEL TANK TIGHTEN ALL FASTENERS AND CONNECT FUEL TRANSMITTER SENDER TO PROPER FUEL GAUGE TERMINAL.