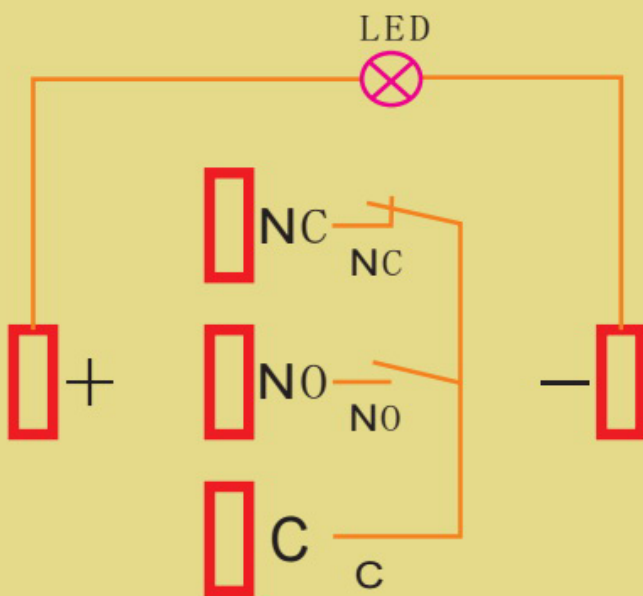


Wiring Instructions



C1: Switch common terminal, contact input;

N01: normal open pin, when the switch is pressed, C1 and N01 conduction

NC1: normal close pin, when the switch is pressed, C1 and NC1 disconnected;

+: The LED power input, when D is a DC power supply, should be connected to the positive electrode;

-: The LED power input, when D is a DC power supply, you should then negative.

LED voltage according to rated voltage.